

®

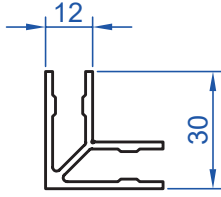
AYDE

BAĞLANTI PROFİLLERİ

CONNECTION PROFILES

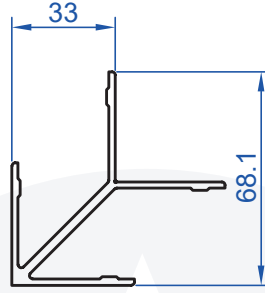
26000

0,569 kg / mt



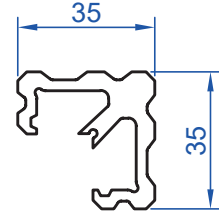
26001

1,182 kg / mt



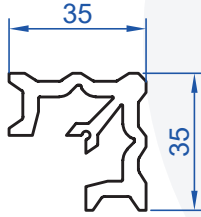
26002

1,124 kg / mt



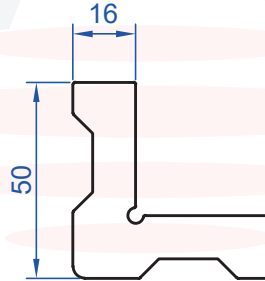
26003

1,149 kg / mt



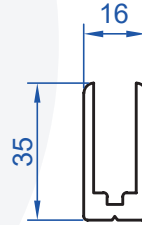
26004

3,069 kg / mt



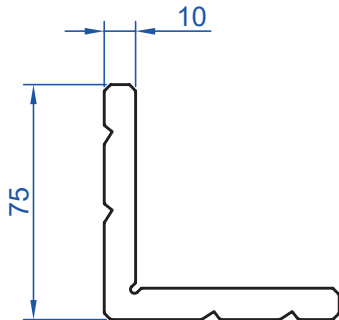
26005

0,636 kg / mt



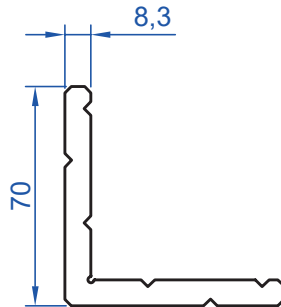
26006

3,670 kg / mt



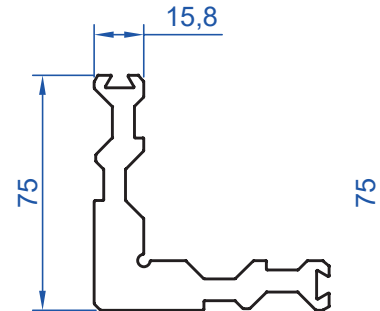
26007

2,840 kg / mt



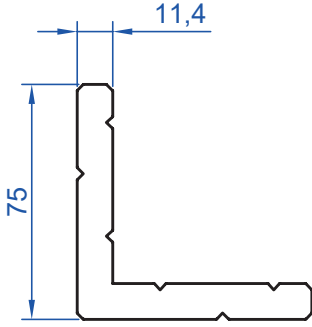
26008

4,169 kg / mt



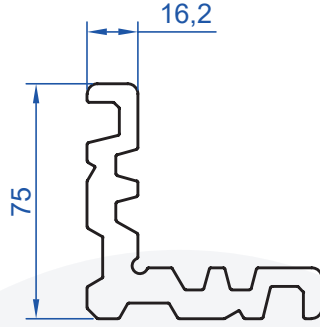
26009

4,192 kg / mt



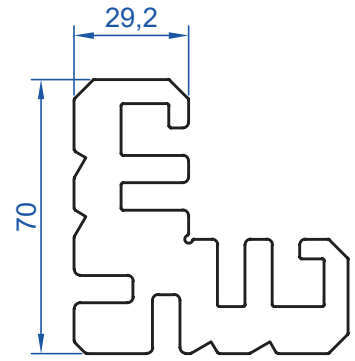
26010

4,023 kg / mt



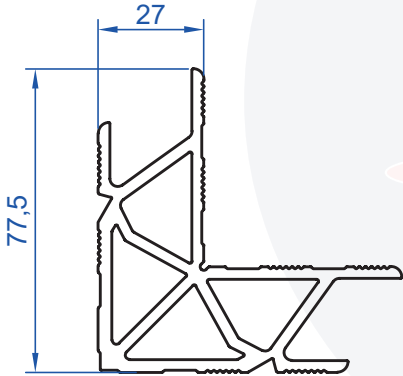
26012

6,206 kg / mt



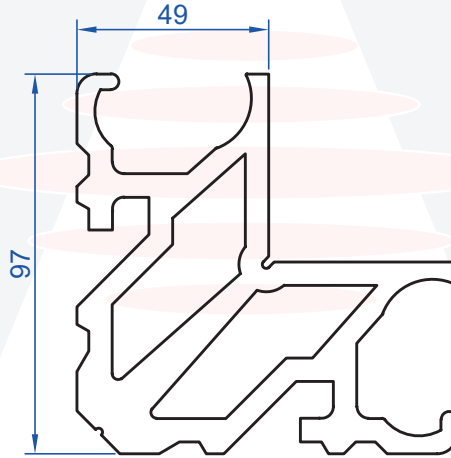
26013

2,854 kg / mt



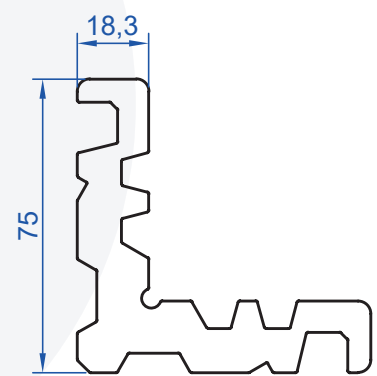
26014

7,583 kg / mt



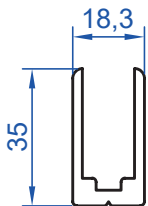
26016

4,697 kg / mt



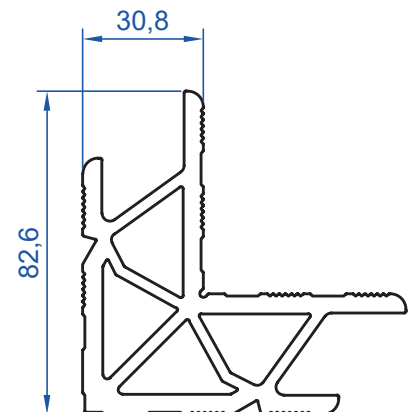
26017

0,663 kg / mt



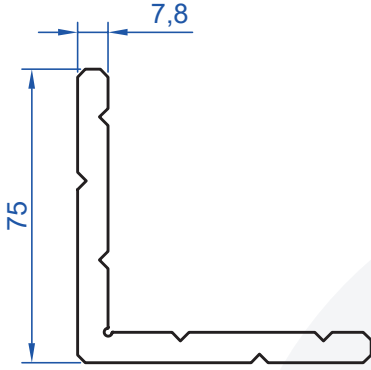
26018

4,104 kg / mt



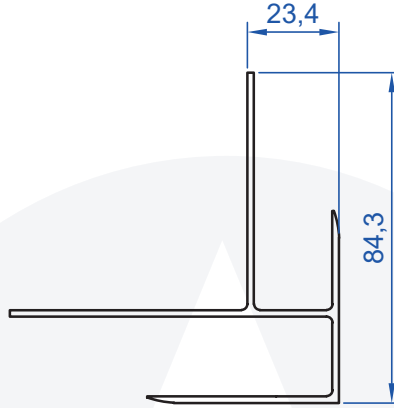
26019

2,904 kg / mt



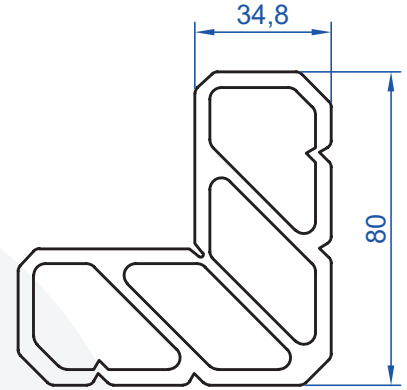
26021

1,095 kg / mt



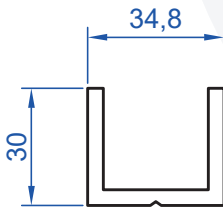
26022

4,126 kg / mt



26023

0,939 kg / mt



51149

1,185 kg / mt

